

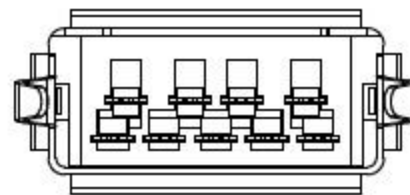
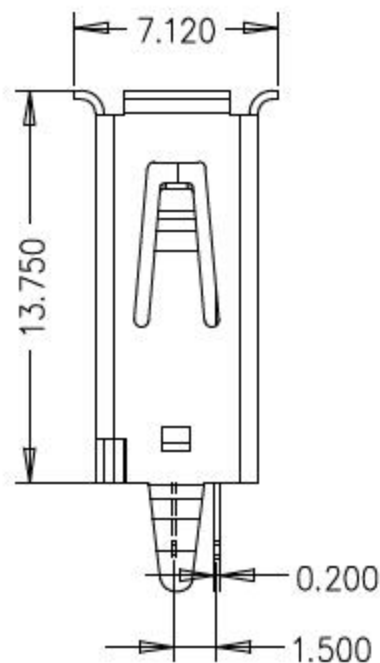
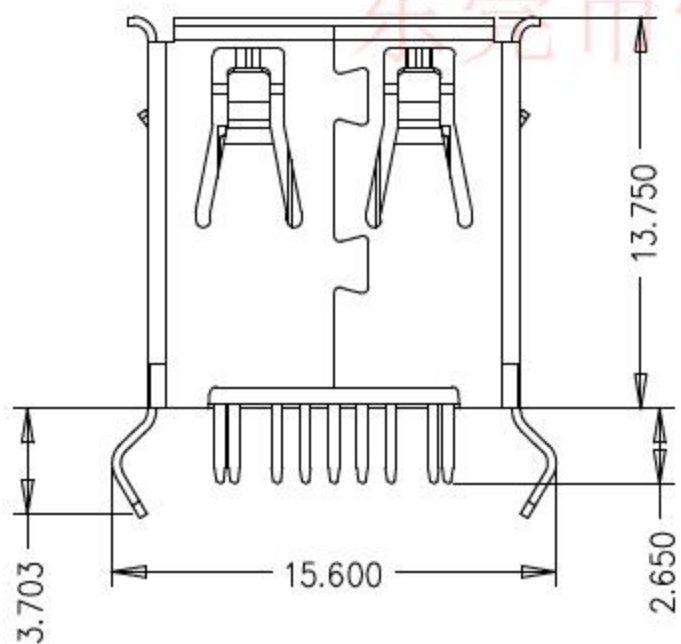
NOTE: P.C.B LAYOUT  
TOL:±0.05

1.MATERIAL:  
1.1 INSULATOR: PBT & PA9T &LCP  
1.2 CONTACT: COPPER ALLOY  
1.3 SHELL: BRASS

2.ELECTRICAL CHARACTERISTICS;  
2.1 CONTACT RESISTANCE: 30mΩ MAXIMUM  
2.2 CONTACT CURRENT RATING: 1.5A  
2.3 DIELECTRIC WITHSTANDING VOLTAGE: 100 V R.M.S.  
2.4 INSULATION RESISTANCE 100 MEGOHMS MIN  
2.5 OPERATING TEMPERATURE: -20°C ~ 60°C

3.PLATING  
3.1 TERMINAL:  
50u" MIN NICKEL ALL OVER  
100u" MIN Tin ON SOLDER AREA  
(1~30)u" Au ON CONTACT AREA  
3.2 SHELL: 80u" MIN. NICKEL ALL OVER

4.PART NO.:

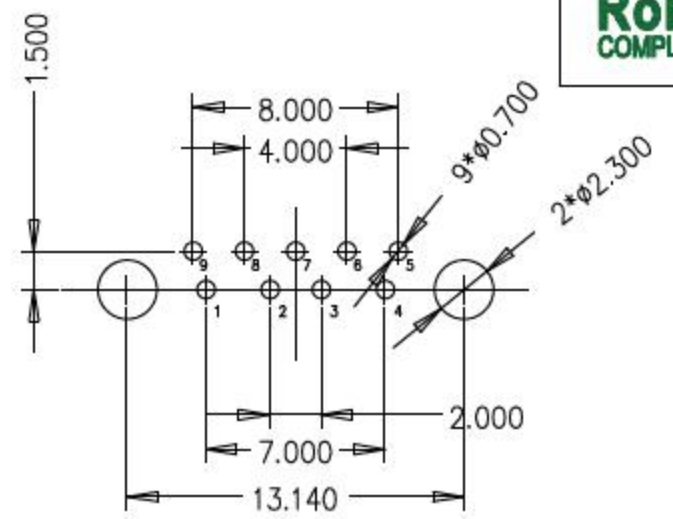
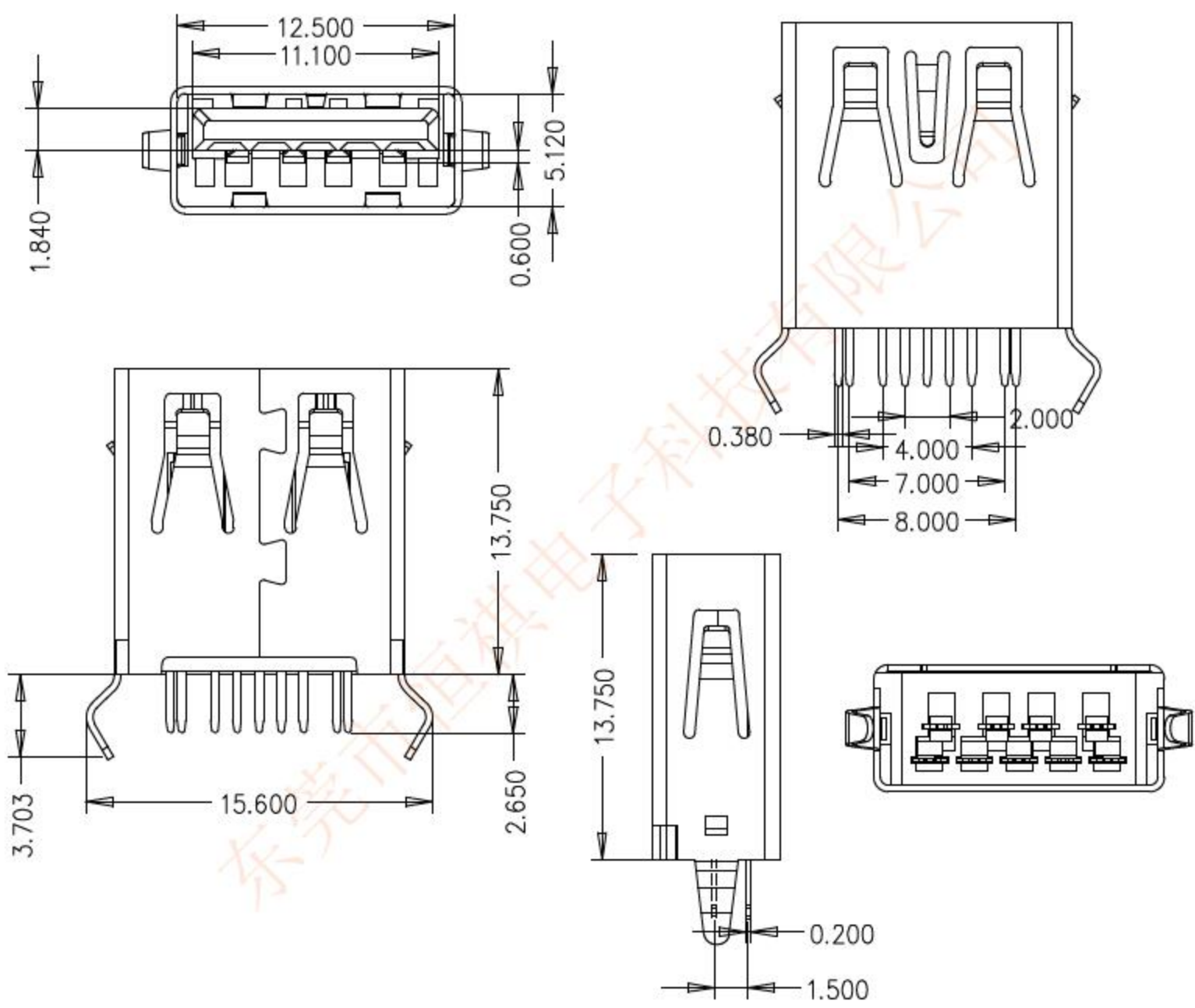


设计:	Arvin: 2016.03.08	范围 Range	公差 Tolerance
审核:	Arvin:	X.X ±	X.X ±0.30
校对:	Ru yi:	X.XX ±	X.XX ±0.20
比例:	视角关系:	X.XXX ±	X.XXX ±0.10
版次:	图框大小: A4	Angle ±	Angle ±5°

东莞市恒祺电子科技有限公司

名称: USB插座      料号:  
型号: USB3.0 A/F180度立插13.7MM有卷边  
共 张 , 第 张      备注:

**RoHS  
COMPLIANT**



NOTE: P.C.B. LAYOUT  
TOL:  $\pm 0.05$

1.MATERIAL:

- 1.1 INSULATOR: PBT & PA9T & LCP
- 1.2 CONTACT: COPPER ALLOY
- 1.3 SHELL: BRASS

2.ELECTRICAL CHARACTERISTICS;

- 2.1 CONTACT RESISTANCE: 30m $\Omega$  MAXIMUM
- 2.2 CONTACT CURRENT RATING: 1.5A
- 2.3 DIELECTRIC WITHSTANDING VOLTAGE: 100 V R.M.S.
- 2.4 INSULATION RESISTANCE 100 MEGOHMS MIN
- 2.5 OPERATING TEMPERATURE: -20°C ~ 60°C

3.PLATING

- 3.1 TERMINAL:
  - 50u" MIN NICKEL ALL OVER
  - 100u" MIN Tin ON SOLDER AREA
  - (1~30)u" Au ON CONTACT AREA
- 3.2 SHELL: 80u" MIN. NICKEL ALL OVER

4.PART NO.:

设计:	Arvin: 2016.03.08	范围 Range	公差 Tolerance
审核:	Arvin:	X.X $\pm$	X.X $\pm 0.30$
校对:	Ru yi:	X.XX $\pm$	X.XX $\pm 0.20$
比例:	视角关系:	X.XXX $\pm$	X.XXX $\pm 0.10$
版次:	图框大小: A4	Angle $\pm$	Angle $\pm 5^\circ$

**东莞市恒祺电子科技有限公司**

名称: USB插座      料号:  
 型号: USB3.0 A/F180度立插13.7MM无卷边  
 共 张 , 第 张      备注: