

NOTE:

1.MATERIAL:

- 1.1 INSULATOR: PBT & PA9T & LCP
- 1.2 CONTACT: COPPER ALLOY
- 1.3 SHELL: BRASS

2.ELECTRICAL CHARACTERISTICS;

- 2.1 CONTACT RESISTANCE: 30mΩ MAXIMUM
- 2.2 CONTACT CURRENT RATING: 1.5A
- 2.3 DIELECTRIC WITHSTANDING VOLTAGE: 100 V R.M.S.
- 2.4 INSULATION RESISTANCE 100 MEGOHMS MIN
- 2.5 OPERATING TEMPERATURE: -20°C ~ 60°C

3.PLATING

3.1 TERMINAL:

- 50u" MIN NICKEL ALL OVER
- 100u" MIN Tin ON SOLDER AREA
- (1~30)u" Au ON CONTACT AREA

3.2 SHELL: 80u" MIN. NICKEL ALL OVER

4.PART NO.:

设计:	Arvin: 2016.03.08	范围 Range	公差 Tolerance
审核:	Arvin:	X.X ±	X.X ±0.30
校对:	Ru yi:	X.XX ±	X.XX ±0.20
比例:	视角关系:	X.XXX ±	X.XXX ±0.10
版次:	图框大小: A4	Angle ±	Angle ±5°

东莞市恒祺电子科技有限公司

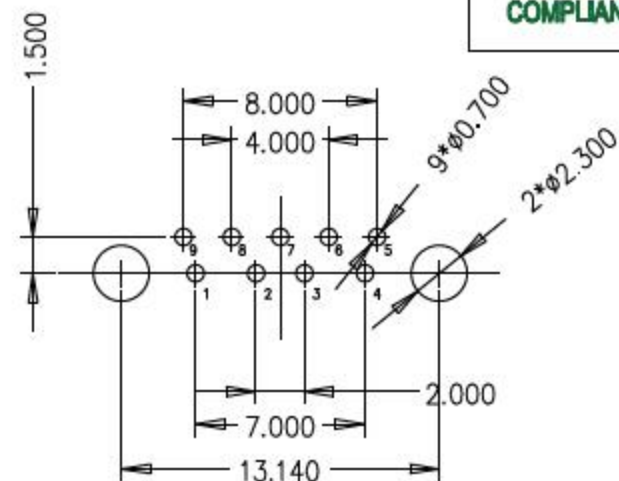
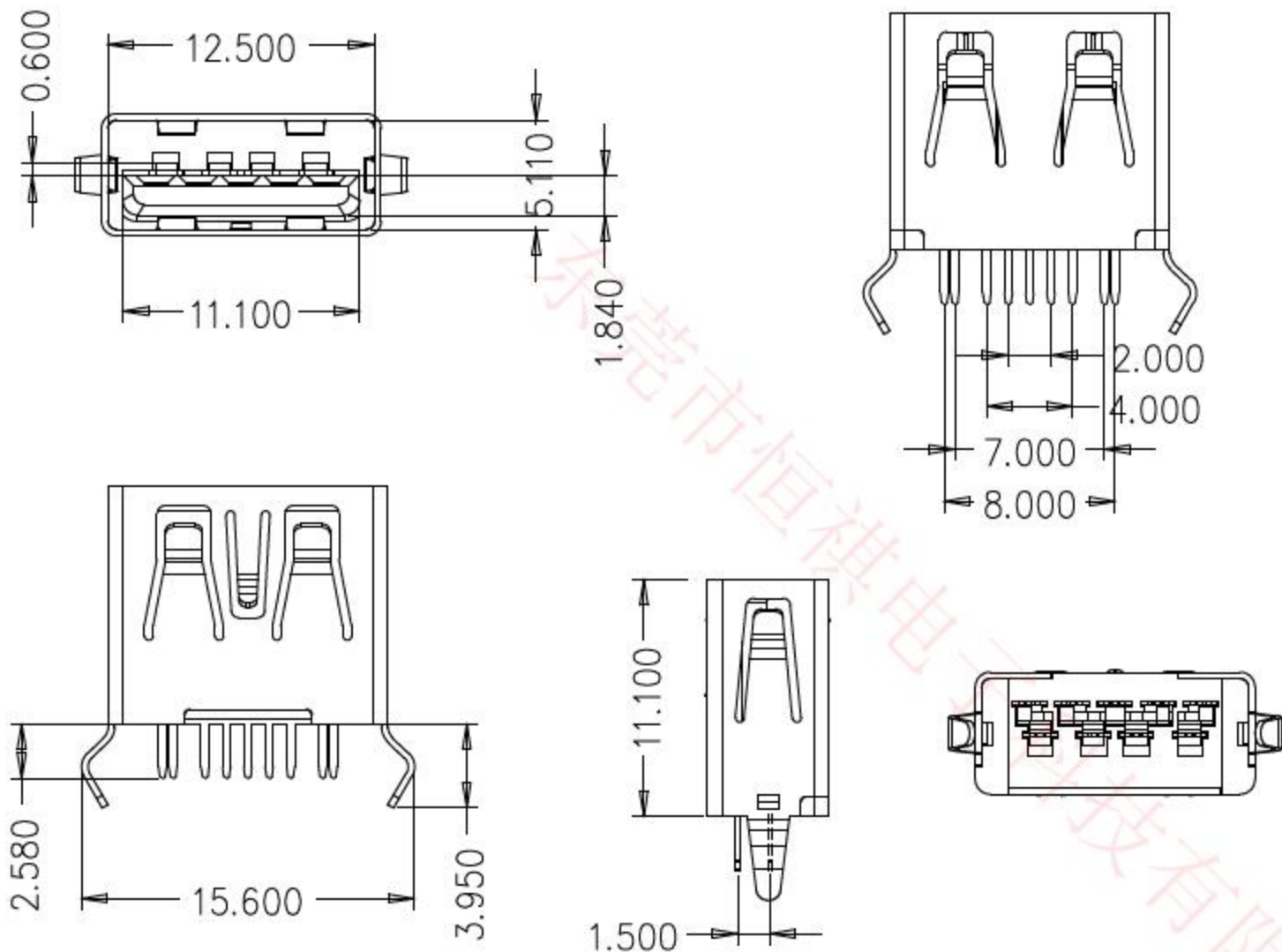
名称: USB插座

料号:

形号: USB3.0 A/F180度插板11.1卷边

共 张 , 第 张

备注:



NOTE:

1.MATERIAL:

- 1.1 INSULATOR: PBT & PA9T & LCP
- 1.2 CONTACT: COPPER ALLOY
- 1.3 SHELL: BRASS

2.ELECTRICAL CHARACTERISTICS;

- 2.1 CONTACT RESISTANCE: 30m Ω MAXIMUM
- 2.2 CONTACT CURRENT RATING: 1.5A
- 2.3 DIELECTRIC WITHSTANDING VOLTAGE: 100 V R.M.S.
- 2.4 INSULATION RESISTANCE 100 MEGOHMS MIN
- 2.5 OPERATING TEMPERATURE: -20 $^{\circ}$ C ~ 60 $^{\circ}$ C

3.PLATING

3.1 TERMINAL:

- 50 μ " MIN NICKEL ALL OVER
- 100 μ " MIN Tin ON SOLDER AREA
- (1~30) μ " Au ON CONTACT AREA

3.2 SHELL: 80 μ " MIN. NICKEL ALL OVER

4.PART NO.:

P.C.B LAYOUT

TOL: \pm 0.05

设计:	Arvin: 2016.03.08	范围 Range	公差 Tolerance
审核:	Arvin:	X.X \pm	X.X \pm 0.30
校对:	Ru yi:	X.XX \pm	X.XX \pm 0.20
比例:	视角关系:	X.XXX \pm	X.XXX \pm 0.10
版次:	图框大小: A4	Angle \pm	Angle \pm 5 $^{\circ}$

东莞市恒祺电子科技有限公司

名称: USB插座

料号:

形号: USB3.0 A/F180度插板11.1无卷边

共 张 , 第 张

备注: