

**SPECIFICATIONS:**  
 Contact current Rating:  
 1.8 Amperes for pin1&pin4.  
 0.25 Amperes other contacts  
 Dielectric Withstanding Voltage: AC 100V(RMS)  
 Insulation resistance: 100Megohms Minimum.  
 Contact Resistance:  
 30mΩ Max for pin1&pin4  
 50mΩMax for other contacts  
 Mechanical Characteristics:  
 Mating Force: 35 Newtons.Maximum  
 Unmating Force: 10 Newtons.Mlimum.  
 BN Min After Durability

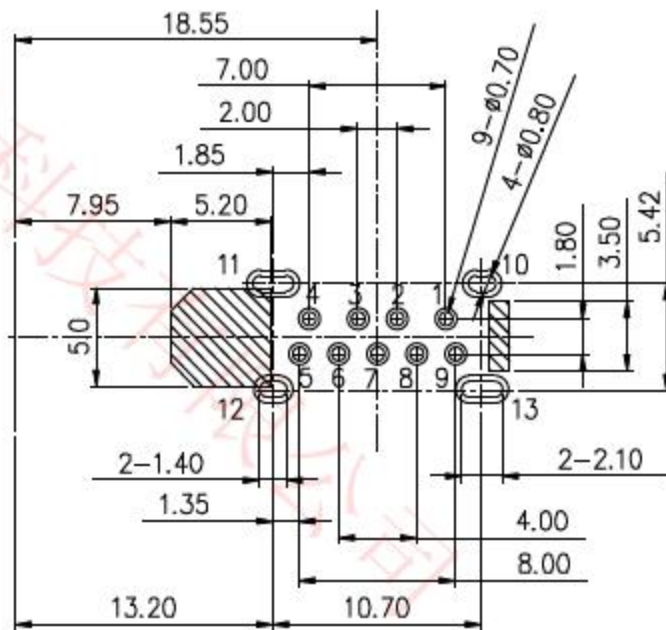
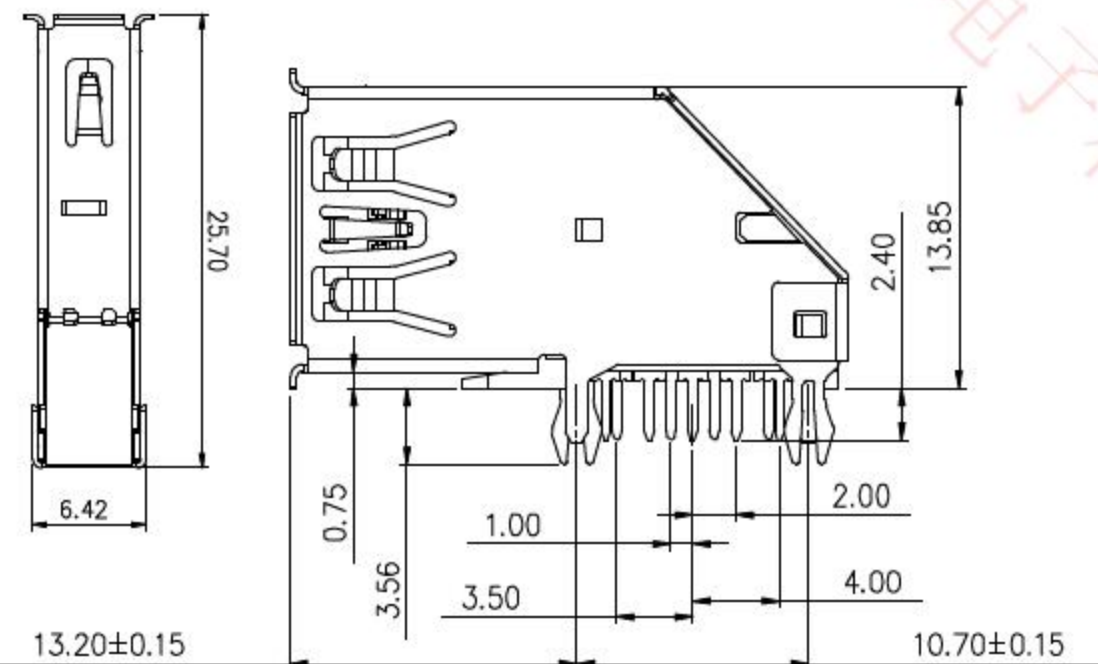
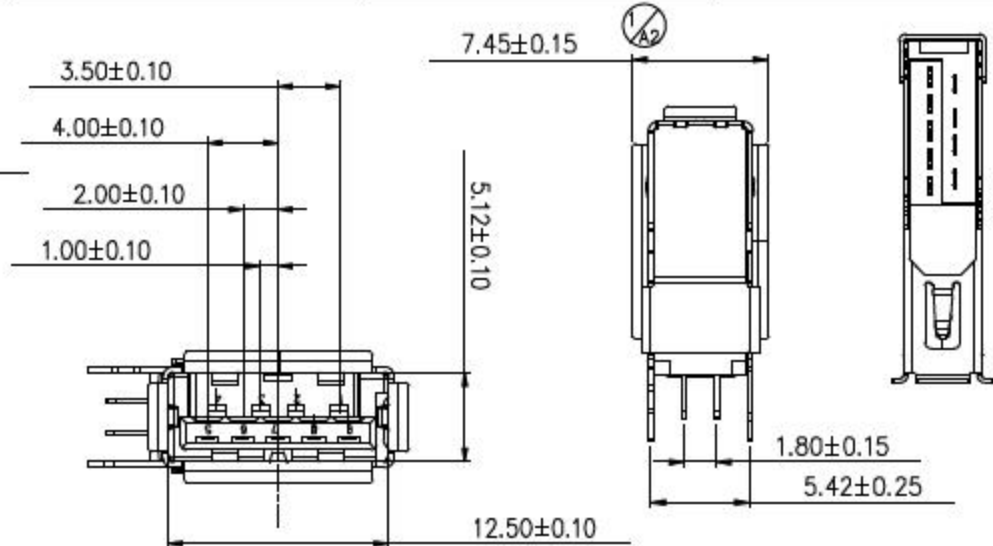
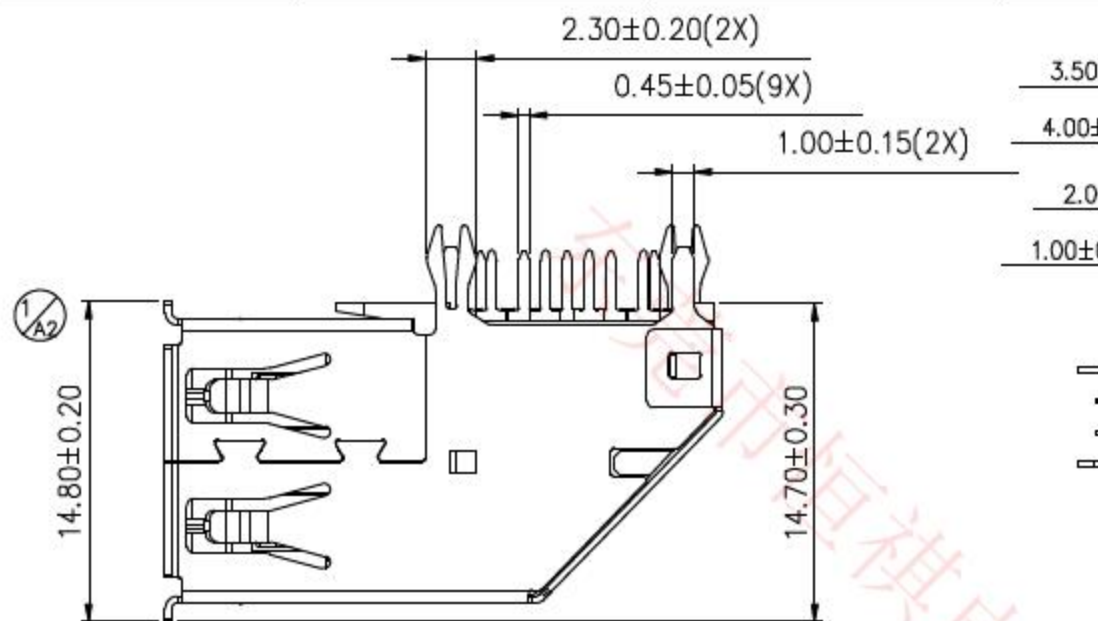
**MATERIAL:**  
 Housing: See table  
 Contact: copper alloy( T=0.25mm)  
 Shell: SUS

**LATING:**  
 Contact: Au Plated on contact area  
 Tin Plated on solder area  
 Nickel underplating over all  
 Shell: Nickel Plated  
 operating temperature: -55i to+85i

RECOMMENDED PCB LAYOUT

设计:	Arvin: 2016.03.08	范围 Range	公差 Tolerance	东莞市恒祺电子科技有限公司	
审核:	Arvin:	X.X ±	X.X ±0.30		
校对:	Ru yi:	X.XX ±	X.XX ±0.20	名称:USB插座	料号:
比例:	视角关系:	X.XXX ±	X.XXX ±0.10	型号: USB3.0 A/F侧插直边	
版次:	图框大小: A4	Angle ±	Angle ±5°	共张, 第张	备注:

RoHS  
COMPLIANT



**SPECIFICATIONS:**

Contact current Rating:

1.8 Amperes for pin1&pin4.

0.25 Amperes other contacts

Dielectric Withstanding Voltage: AC 100V(RMS)

Insulation resistance: 100Megohms Minimum.

Contact Resistance:

30mΩ Max for pin1&pin4

50mΩMax for other contacts

Mechanical Characteristics:

Mating Force: 35 Newtons.Maximum

Unmating Force: 10 Newtons.Minimum.

8N Min After Durability

**MATERIAL:**

Housing: See table

Contact: copper alloy( T=0.25mm)

Shell: SUS

**PLATING:**

Contact: Au Plated on contact area

Tin Plated on solder area

Nickel underplating over all

Shell: Nickel Plated

operating Temperature: -55i Wto+85i W

设计:	Arvin: 2016.03.08	范围 Range	公差 Tolerance
审核:	Arvin:	X.X ±	X.X ±0.30
校对:	Ru yi:	X.XX ±	X.XX ±0.20
比例:	视角关系:	X.XXX ±	X.XXX ±0.10
版次:	图框大小: A4	Angle ±	Angle ±5°

东莞市恒祺电子科技有限公司

名称: USB插座

料号:

型号: USB3.0 A/F侧插卷边

共张, 第张

备注: