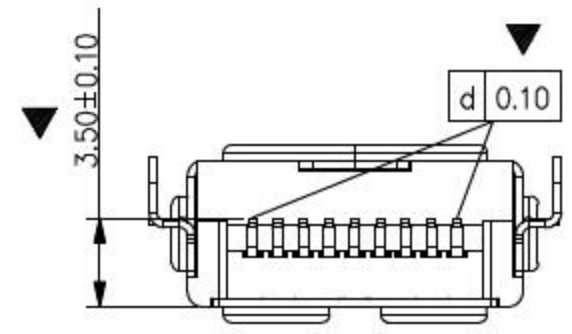
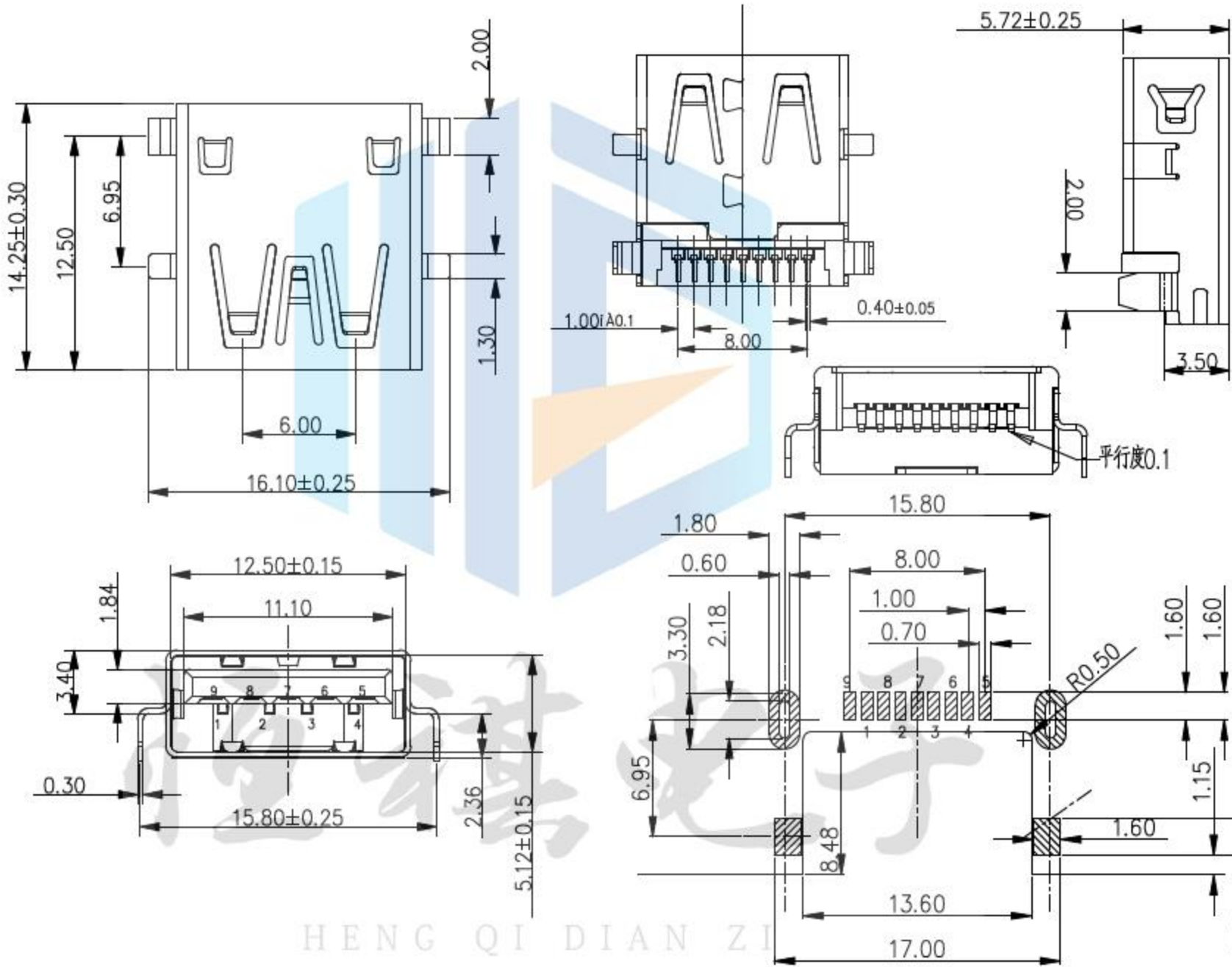


**RoHS  
COMPLIANT**



- NOTE:
- MATERIAL:
    - INSULATOR: LCP+30%GF, UL94V-0,
    - CONTACT 1~4PIN: C5191R/H,
    - CONTACT 5~9PIN: C5191R/H,
    - SHELL: BRASS C2680R/H
  - PLATING:
    - CONTACT: SELECTIVE GOLD PLATED ON CONTACT AREA  
100u" Min. MATTE TIN PLATED ON SOLDER TAIL  
50u" Min. NICKEL UNDER-PLATED
    - SHELL: 50u" Min. NICKEL PLATED OVERALL
  - CHARACTERISTICS:
    - ELECTRICAL CHARACTERISTICS;
      - CONTACT RESISTANCE: 30mΩ MAXIMUM
      - CONTACT CURRENT RATING: 1.5A
      - DIELECTRIC WITHSTANDING VOLTAGE: 500 V R.M.S.
      - INSULATION RESISTANCE 1000 MEGOHMS MIN
      - OPERATING TEMPERATURE: -25°C ~ +85°C
    - MECHANICAL:
      - MATING FORCE: 3.57Kg.Max.
      - UNMATING FORCE: 1.02Kg.Min.
  - DESIGN STANDARD ACCORDING TO USB\_3.0 SPECIFICATION.

HENG QI DIAN ZI

设计:	Arvin: 2016.03.08	范围 Range	公差 Tolerance	东莞市恒祺电子科技有限公司	
审核:	Arvin:	X.X ±	X.X ±0.30		
校对:	Ru yi:	X.XX ±	X.XX ±0.20	名称: USB插座	料号:
比例:	视角关系:	X.XXX ±	X.XXX ±0.10	型号: USB3.0 A/F沉板3.5贴片订位脚前移直边	
版次:	图框大小: A4	Angle ±	Angle ±5°	共 张 , 第 张	备注: