

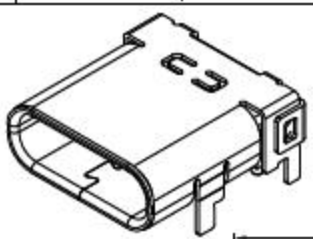
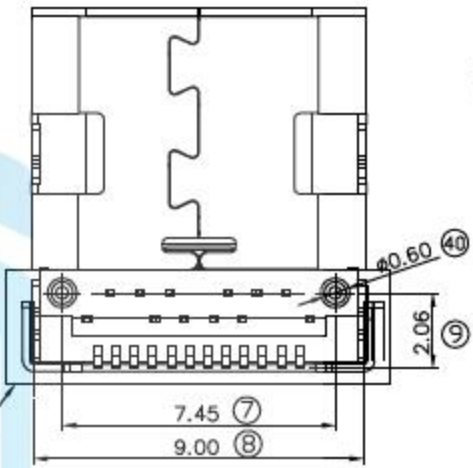
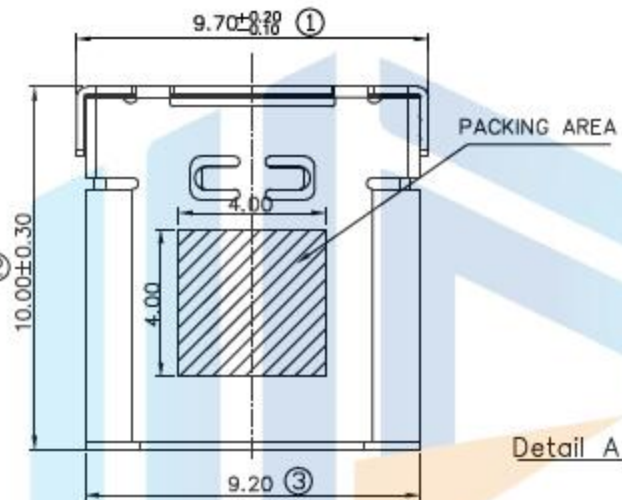
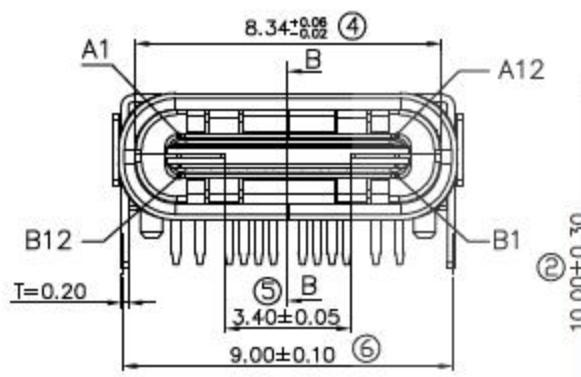
- Electrical Characteristics:
 - 1-1: Current Rating: 5A For Pin(A4,A9,B4,B9)
1.25A For Pin(B5)
0.25A For Others Pin
 - 1-2: VOLTAGE RATING: 20V
 - 1-3: Insulation Resistance: 100MΩ Min.
 - 1-4: Contact Resistance:
VBUS & GND PINS AND OTHER PINS: 40mΩ/PIN MAX.
SHIELD: 50mΩ/MAX.
 - SHIELD: LLCR MAX. CHANGE OF ALL PINS: 10mΩ.
 - 1-5: Dielectric Withstanding Voltage: 100V/AC 1Minute
- Mechanical Characteristics:
 - Insertion Force: 5~20N
 - Extraction Force: Initial: 8~20N
After durability: 6~20N
 - Durability: 10000 Cycles
- Operating Temperature: -25°C TO +85°C

设计:	Arvin: 2016.03.08	范围 Range	公差 Tolerance
审核:	Arvin:	X.X ±	X.X ±0.30
校对:	Ru yi:	X.XX ±	X.XX ±0.20
比例:	视角关系:	X.XXX ±	X.XXX ±0.10
版次:	图框大小: A4	Angle ±	Angle ±5°

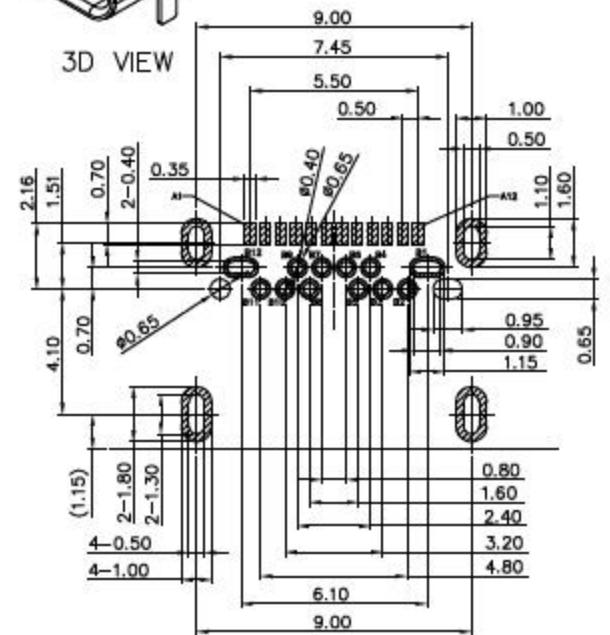
东莞市恒祺电子科技有限公司

名称: TYPE-C
料号:
形号: 24PIN板上前插后贴8.65

共 张 , 第 张 备注:

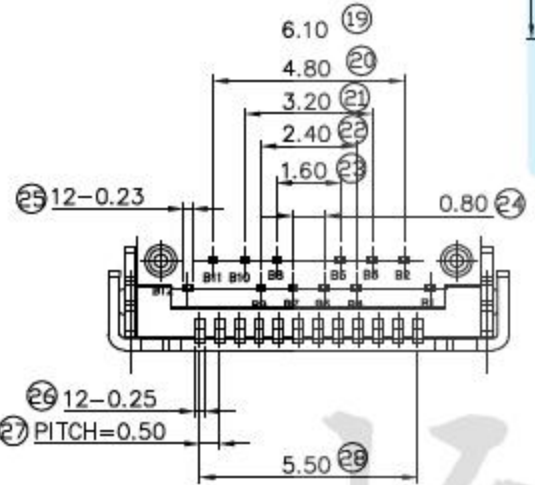


3D VIEW

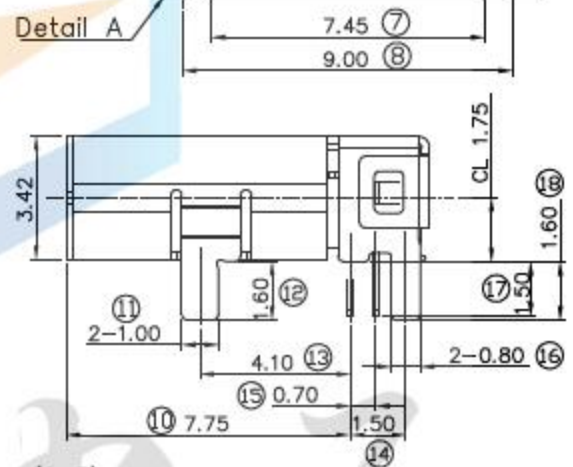


RECOMMEND P.C.B LAYOUT (COMPONENT SIDE)

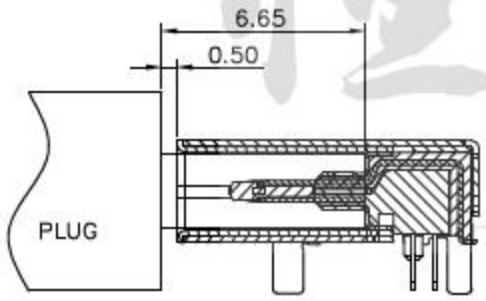
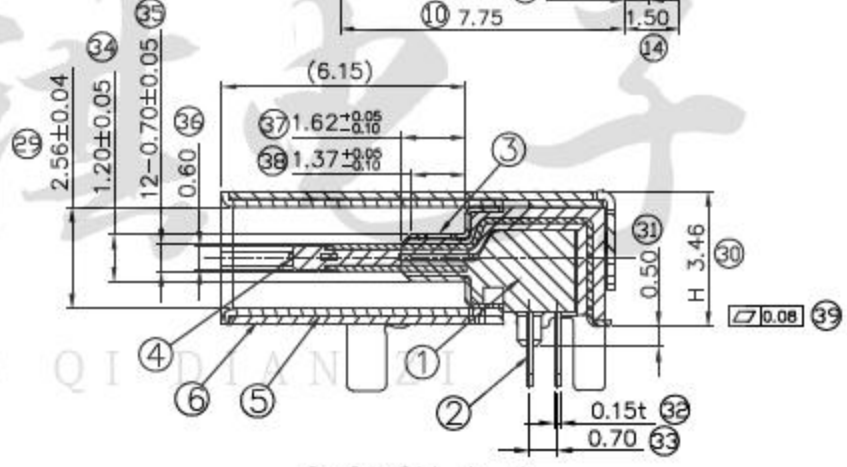
TOLERANCE FOR PCB LAYOUT IS ± 0.05



Detail A



SECTION A-A



AFTER MATING

NOTE:

- Electrical Characteristics:
 - 1-1: Current Rating: 3A For Pin(A4,A9,B4,B9)
1.25 A For Pin(B5)
0.25A For Others Pin
 - 1-2: VOLTAGE RATING: 5.0V
 - 1-3: Insulation Resistance: 100MΩ Min.
 - 1-4: Contact Resistance:
VBUS & GND PINS AND OTHER PINS: 40mΩ/PIN MAX.
SHIELD: 50mΩ/MAX.
SHIELD: LLCR MAX. CHANGE OF ALL PINS: 10mΩ
 - 1-5: Dielectric Withstanding Voltage: 100V/AC 1Minute
- Mechanical Characteristics:
 - Insertion Force: 5~20N
 - Extraction Force: Initial: 8~20N
After durability: 6~20N
 - Durability : 10000 Cycles
- Operating Temperature: -25°C TO +85°C

设计:	Arvin: 2016.03.08	范围 Range	公差 Tolerance
审核:	Arvin:	X.X ±	X.X ±0.30
校对:	Ru yi:	X.XX ±	X.XX ±0.20
比例:	视角关系:	X.XXX ±	X.XXX ±0.10
版次:	图框大小: A4	Angle ±	Angle ±5°

东莞市恒祺电子科技有限公司

名称: TYPE-C 料号:
 形号: 24PIN板上前插后贴10.0
 共 张 , 第 张 备注: